



# VHX-1016

## Dakota Digital Universal VHX Instrument Installation

Your new VHX-1016 kit includes:

VHX Display



Universal Sender Pack



Switch Assembly

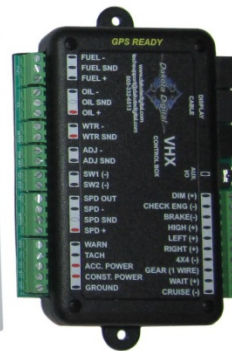
### Installation Manuals and Cutout Template



CAT5 Cable



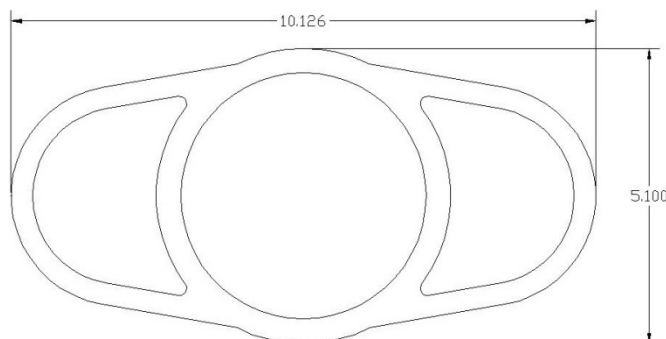
(2x) U-Brackets  
(4x) Thumb Nuts



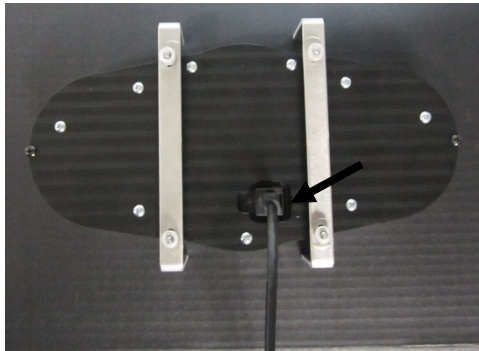
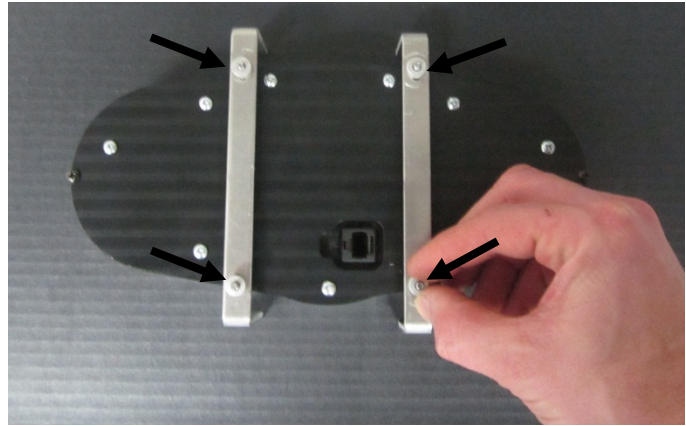
Control Box

## Installation

1. Use the provided template to mark out the opening needed to fit the VHX display. Ensure there is adequate clearance behind the desired mounting location. The display unit needs approximately two inches of depth behind the dash. The overall bezel size is shown below.



2. With the appropriate opening cut, place the VHX display into the dash and attach the two (2) U-brackets to the back of the display using the provided thumb nuts.



3. Attach the provided CAT5 Cable to the back of the VHX display and carefully route the other end to the control box mounting location and refer to the main manual for wiring instructions.



**⚠ WARNING:** This product can expose you to chemicals including lead, which is known to the State of California to cause cancer and birth defects or other reproductive harm. For more information go to [www.P65Warnings.ca.gov](http://www.P65Warnings.ca.gov)



4510 W. 61st St. North  
Sioux Falls, SD 57107  
[www.dakotadigital.com](http://www.dakotadigital.com)  
[dakotasupport@dakotadigital.com](mailto:dakotasupport@dakotadigital.com)

Phone (605) 332-6513  
Fax (605) 339-4106

Copyright 2011 - Dakota Digital, Inc.