



VHX-1015

Dakota Digital VHX Instrument Installation Universal Systems

Your new VHX-1015 Universal kit includes:



VHX Display



Switch Assembly



Universal Sender
Back

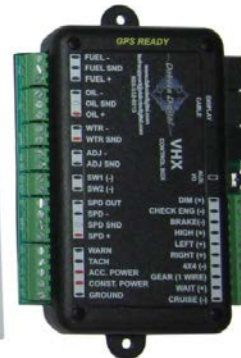
CAT5 Cable



12X L - Brackets

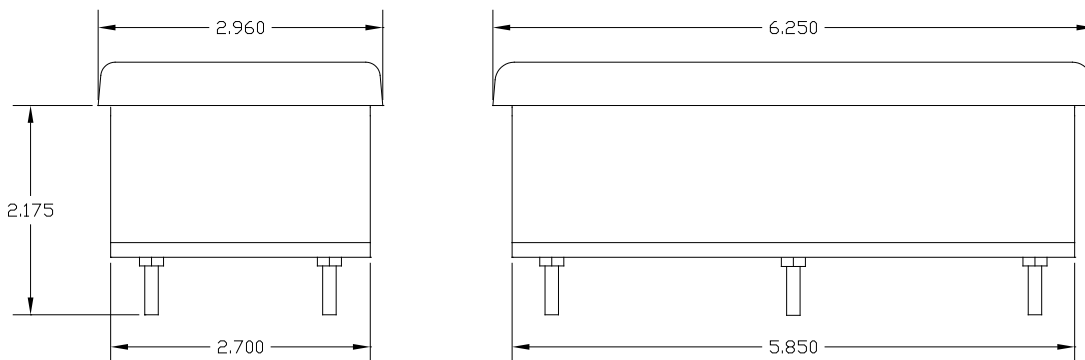


12X Thumb nuts



Control Box

Dimensions:



Installation

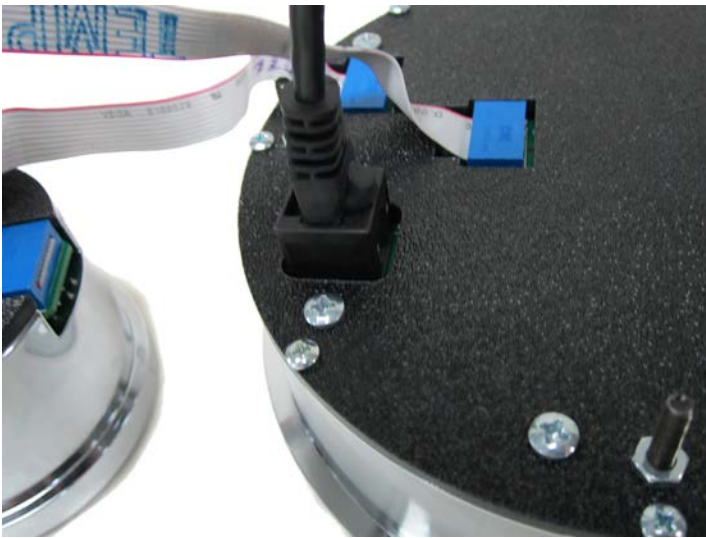
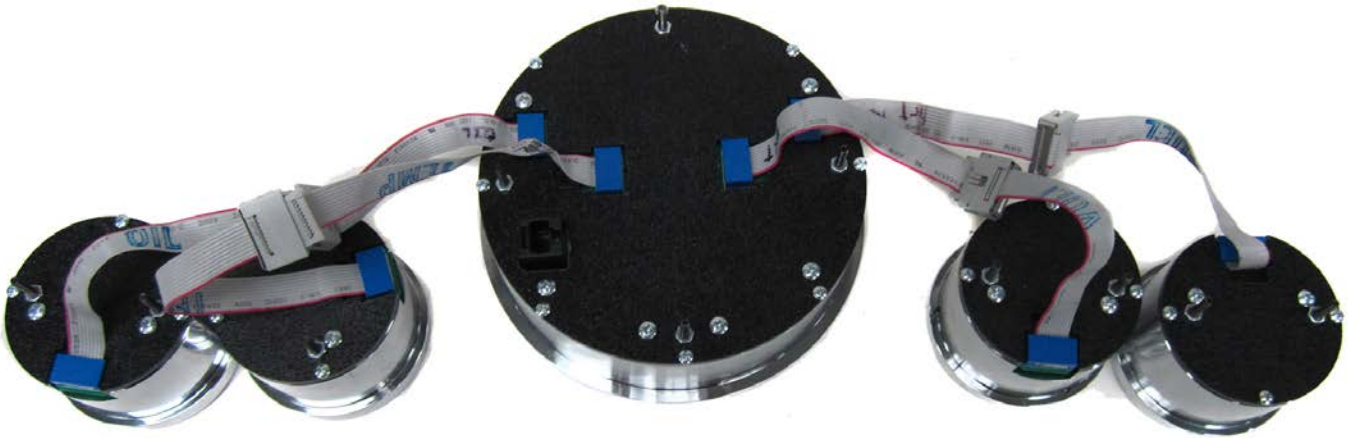
1. First, you will need to make five openings for the system in your desired mounting location. You will need one large hole measuring 5.875" diameter and four smaller holes that are 2.75" diameter for the VHX gauges to fit through and sit flush with the surface of the dash. You will also need at least 2.5" of depth behind the gauge openings for adequate clearance. Make sure you make the smaller holes in close proximity of the larger hole, so the ribbon cable of the smaller gauges will still reach the main center display.



2. From the front, place the main gauge and the four small gauges through the dash in the arrangement of your choice with both Fuel and Volts on the left side and Water and Oil on the right side.
3. Use the 12 included L - Brackets to secure the system to the dash.



4. Be sure to make the connections correctly between the labeled ribbon cables from the main gauge to the lead from each small gauge.



5. Connect the CAT5 cable to the backside of the large gauge and take care when routing this cable to the control box mounting location.

6. Refer to the main manual for wiring instructions to complete the VHX installation.



⚠ WARNING: This product can expose you to chemicals including lead, which is known to the State of California to cause cancer and birth defects or other reproductive harm. For more information go to www.P65Warnings.ca.gov



4510 W. 61st St. North
Sioux Falls, SD 57107
www.dakotadigital.com
dakotasupport@dakotadigital.com

Phone (605) 332-6513
Fax (605) 339-4106

Copyright 2011 - Dakota Digital, Inc.